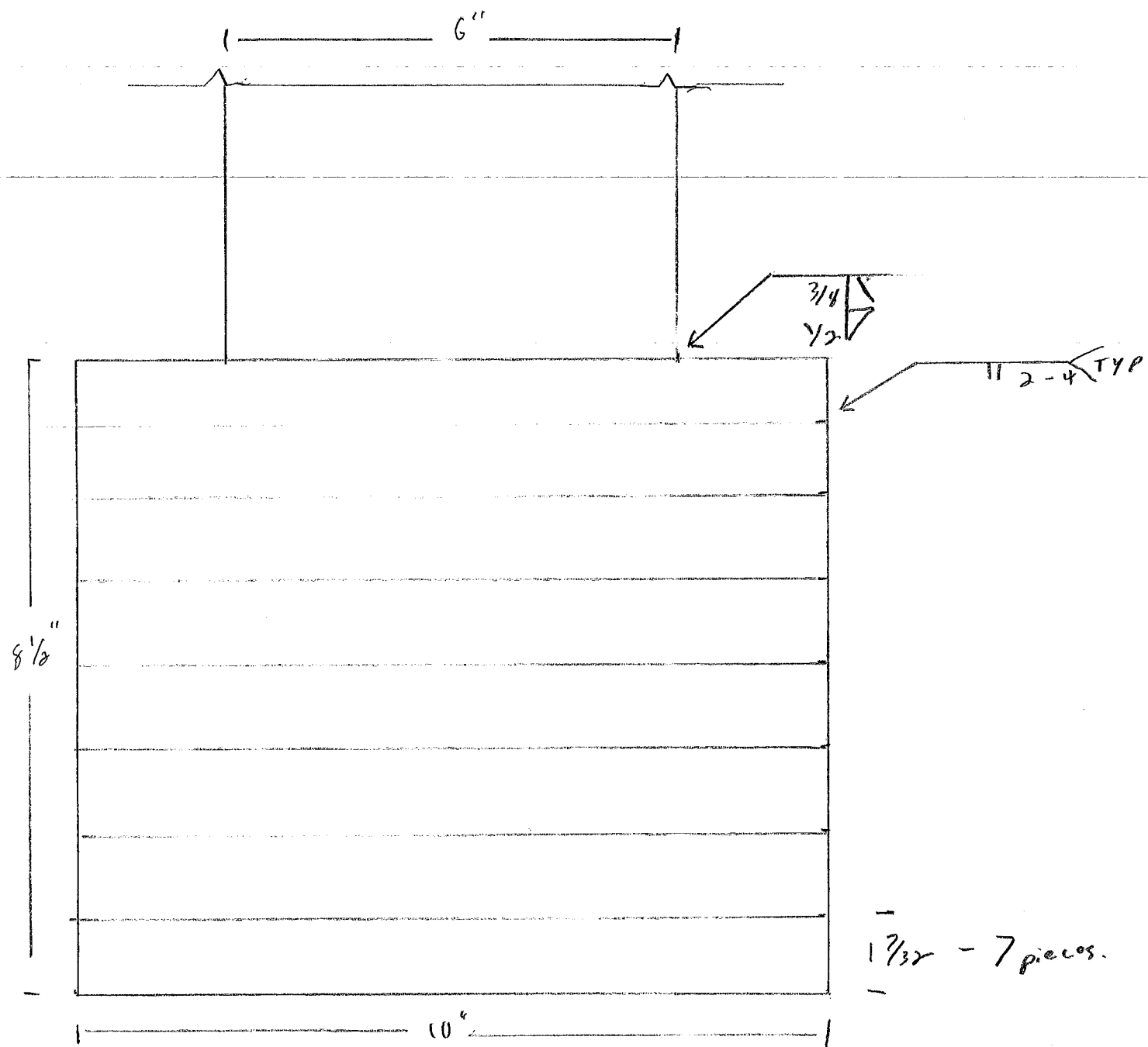
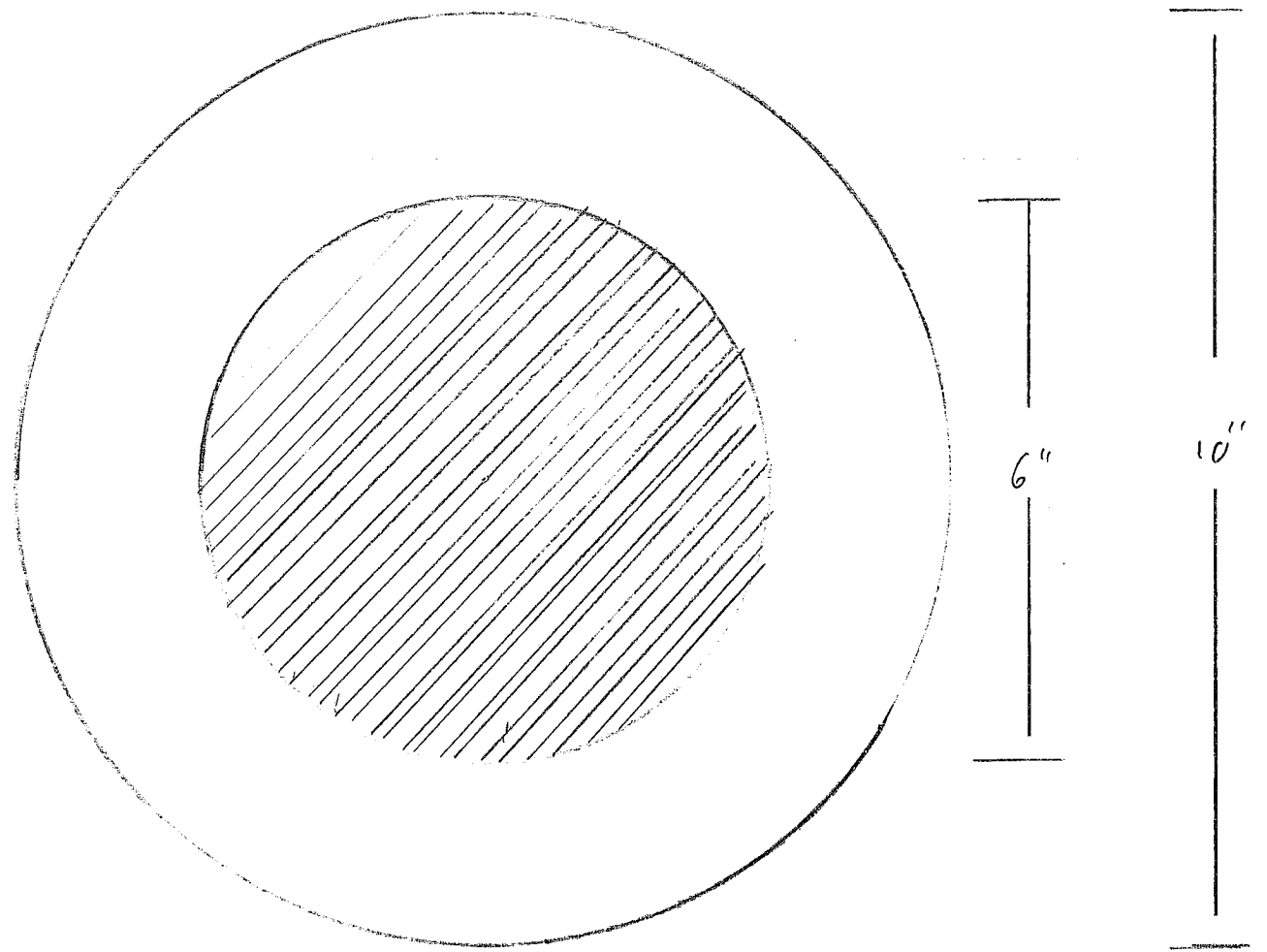


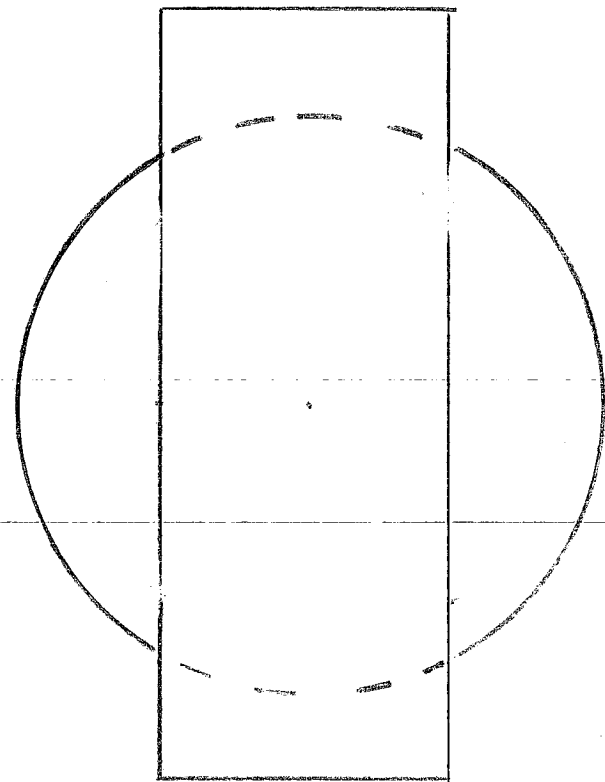
JASON JONES BASE LAYOUT	SCALE 1/4" = 1
MISSOULA COLLEGE PG 2 of 12	5/4/2017



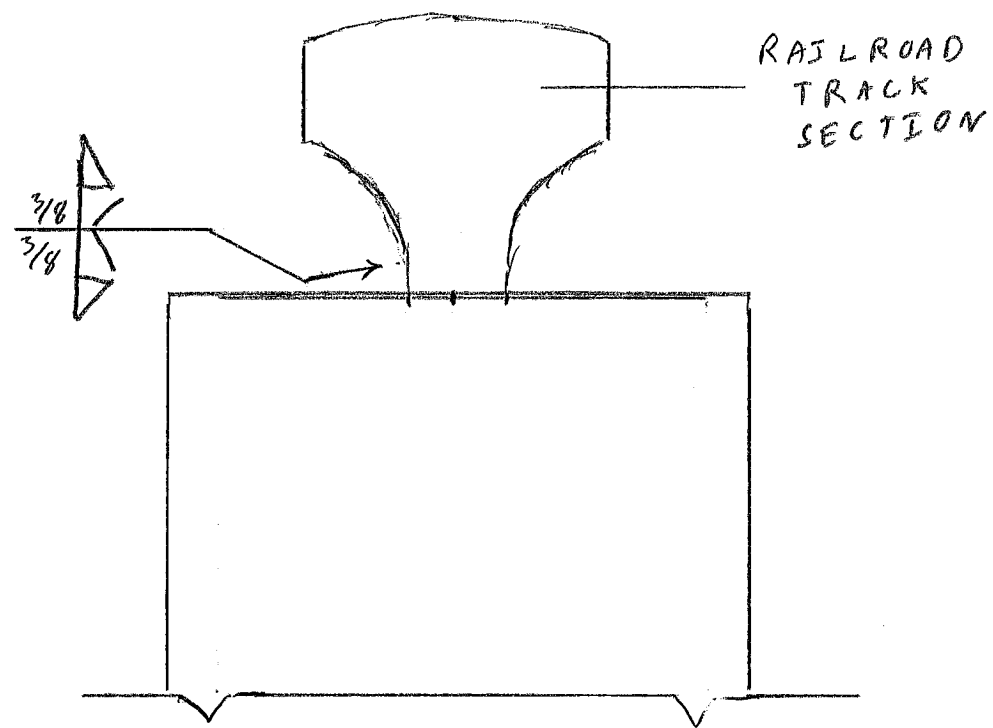
FRONT



TOP

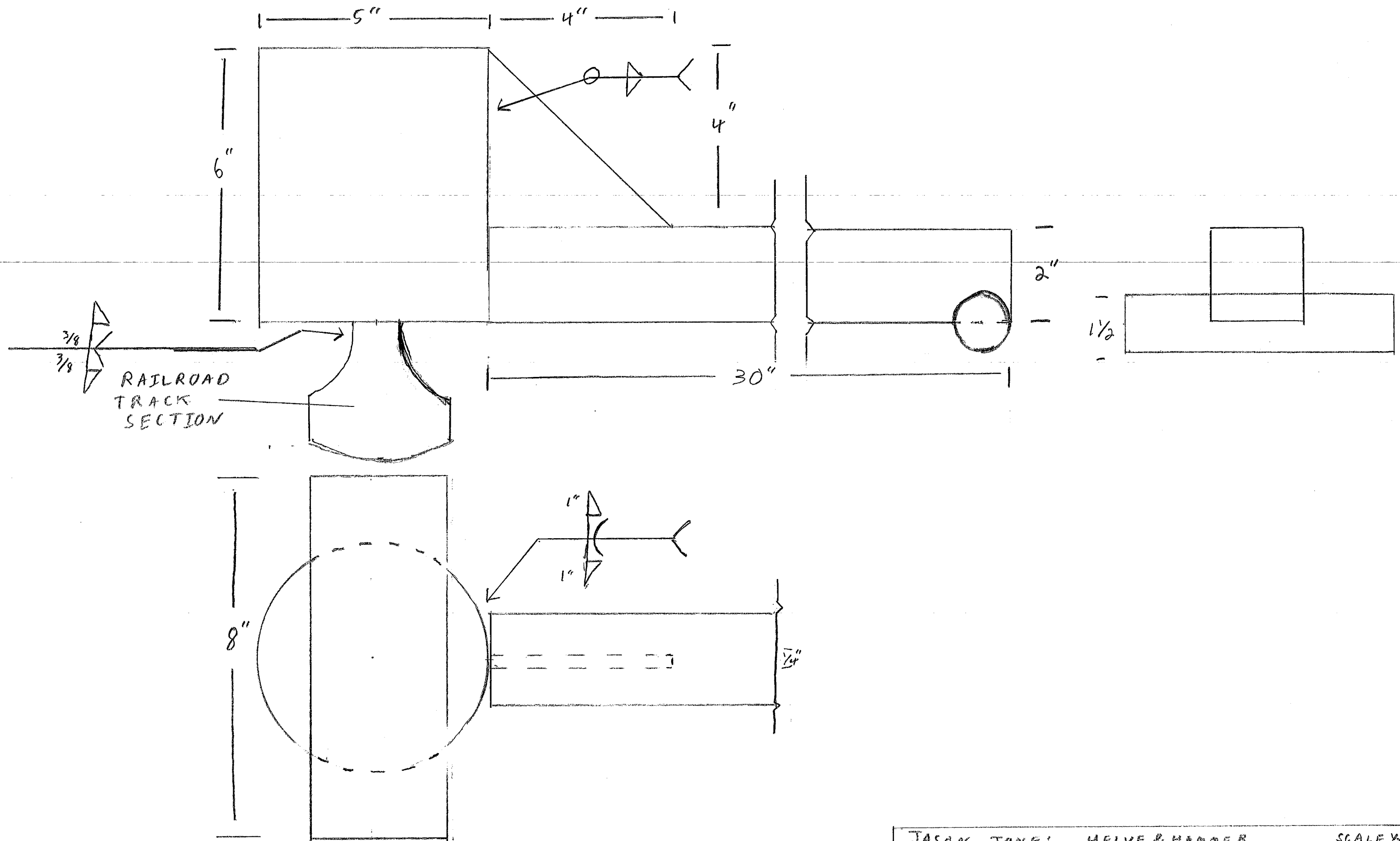


6"



JASON JONES ANVIL HEAD
MISSOULA COLLEGE PG 3 of 12

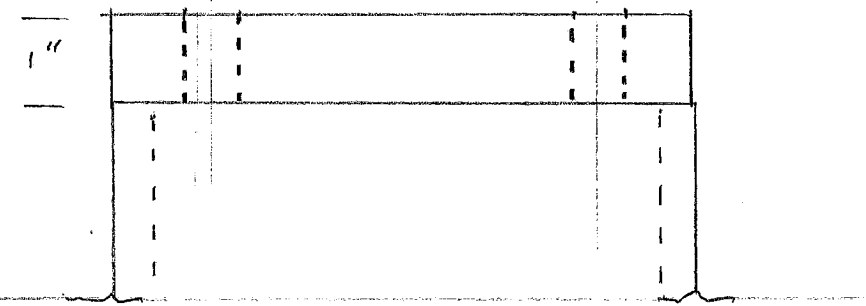
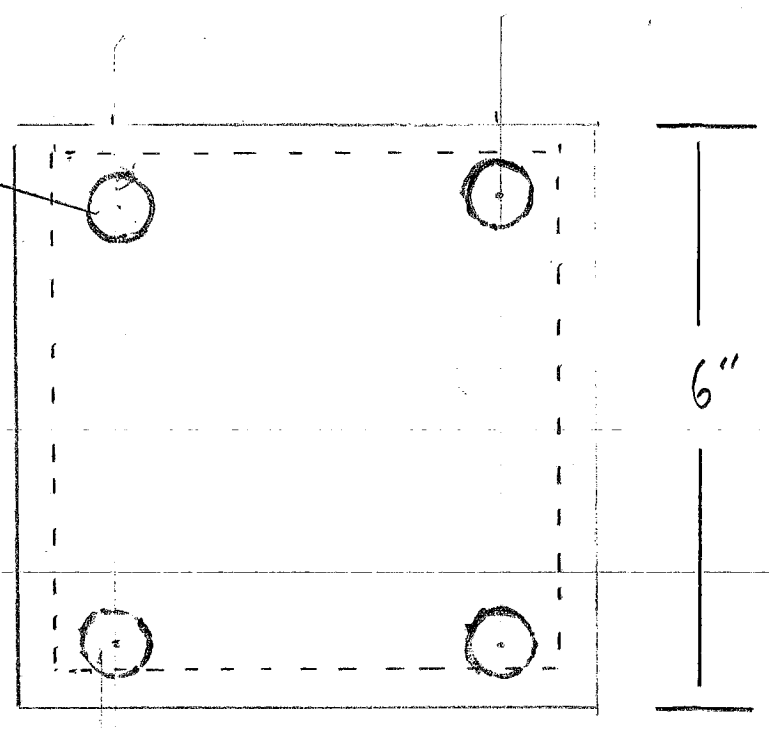
SCALE $\frac{1}{2}$ " = 1"
5/11/2017

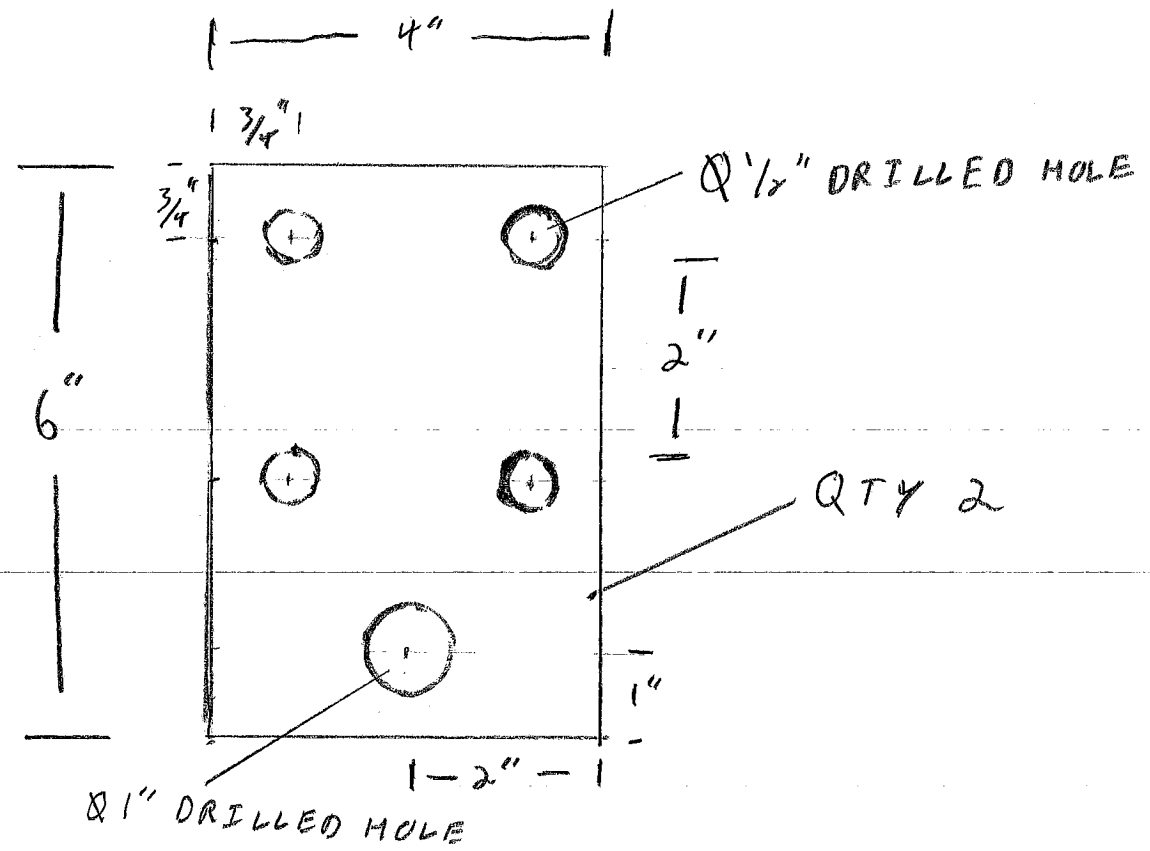


JASON JONES MELVE & HAMMER
 MISSOULA COLLEGE PG 4 of 12

SCALE 1/2" = 1"
 5/4/2017

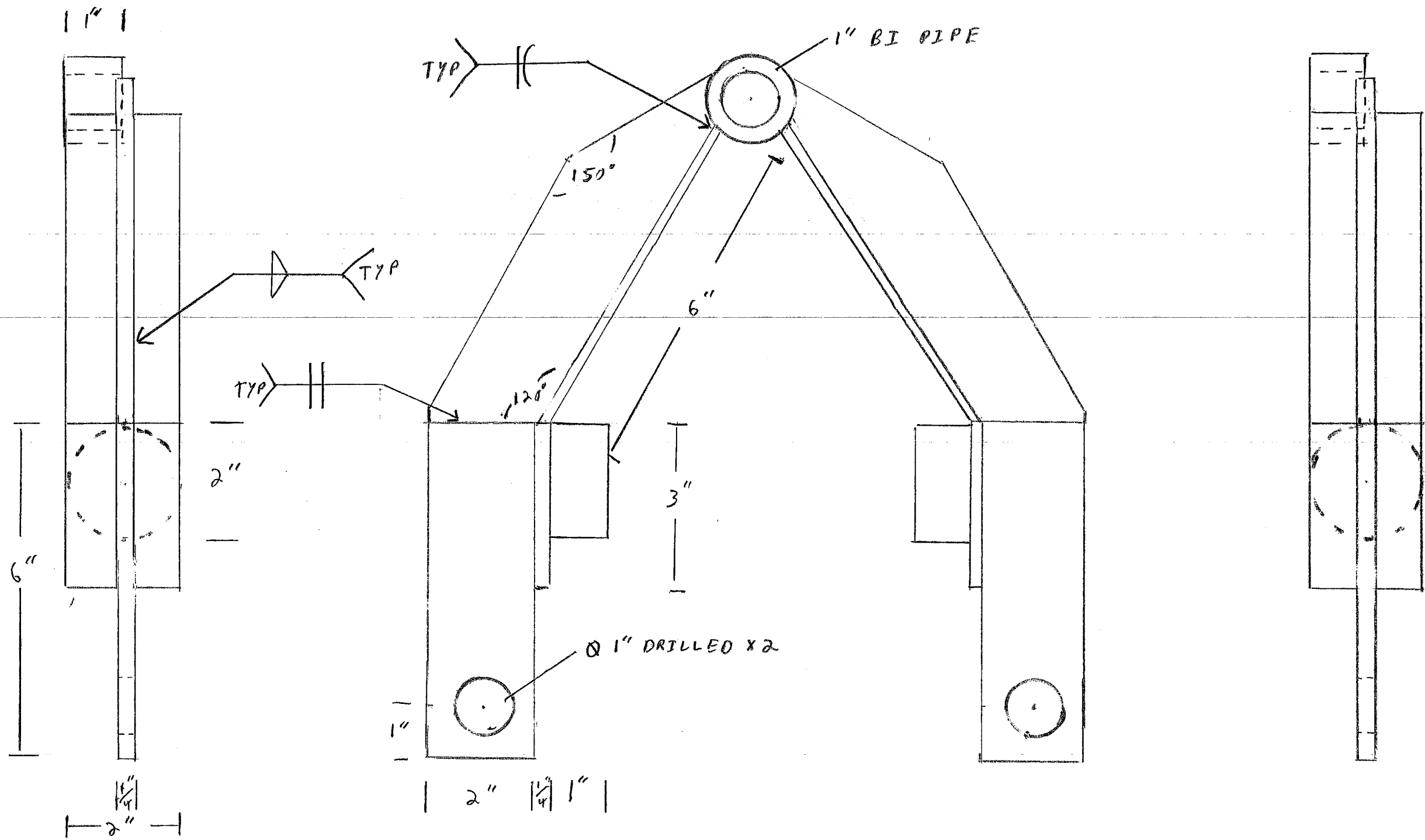
1/2-20 UNF X 4



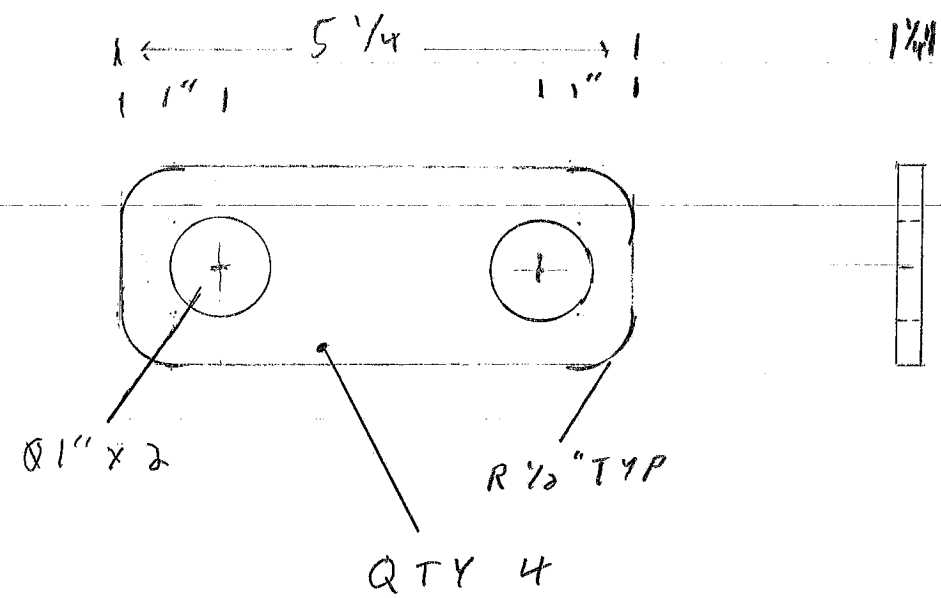


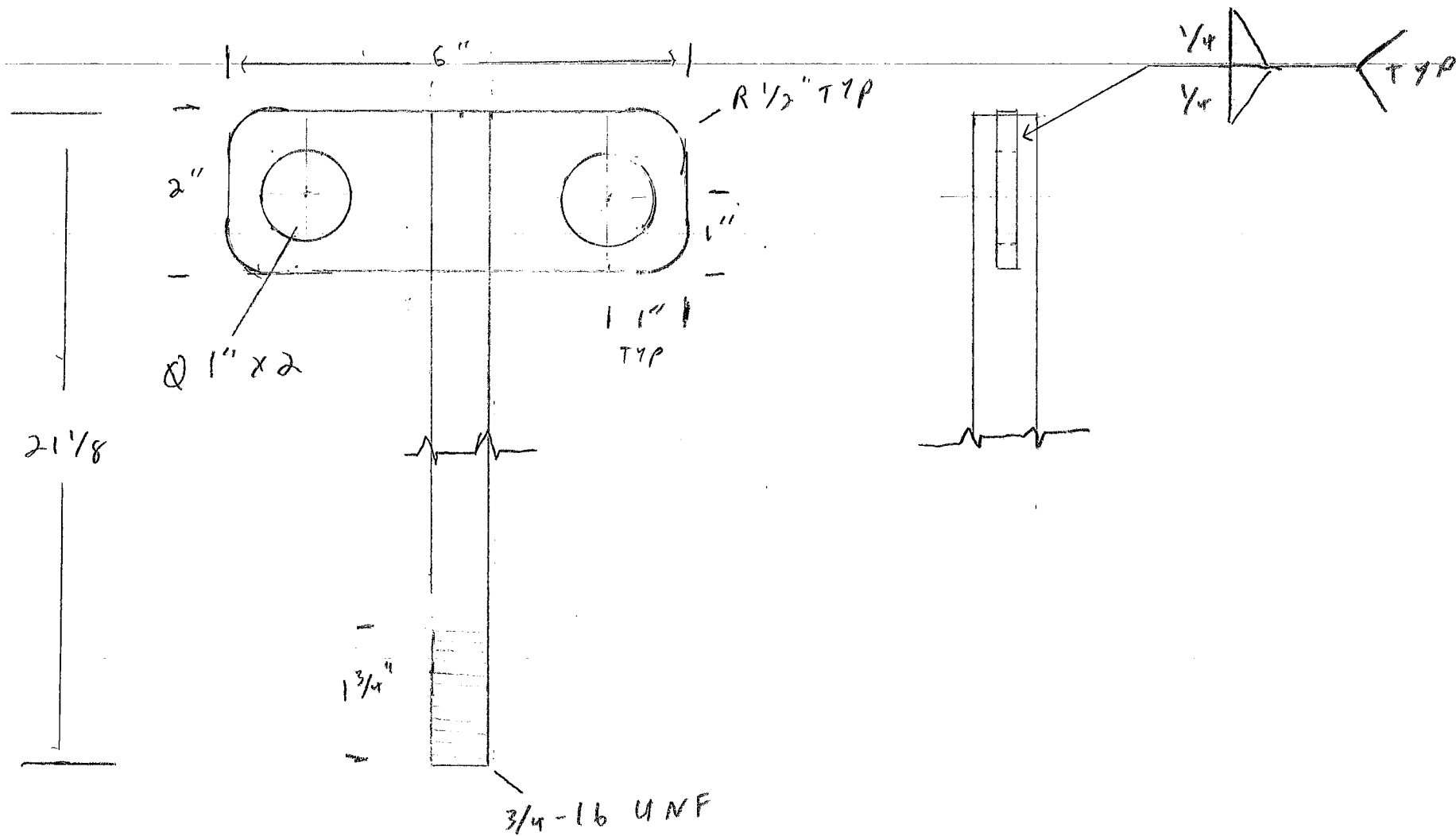
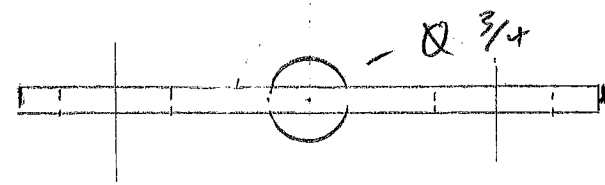
JASON JONES HELVE BRACKET
 MISSOULA COLLEGE PG 6 of 12

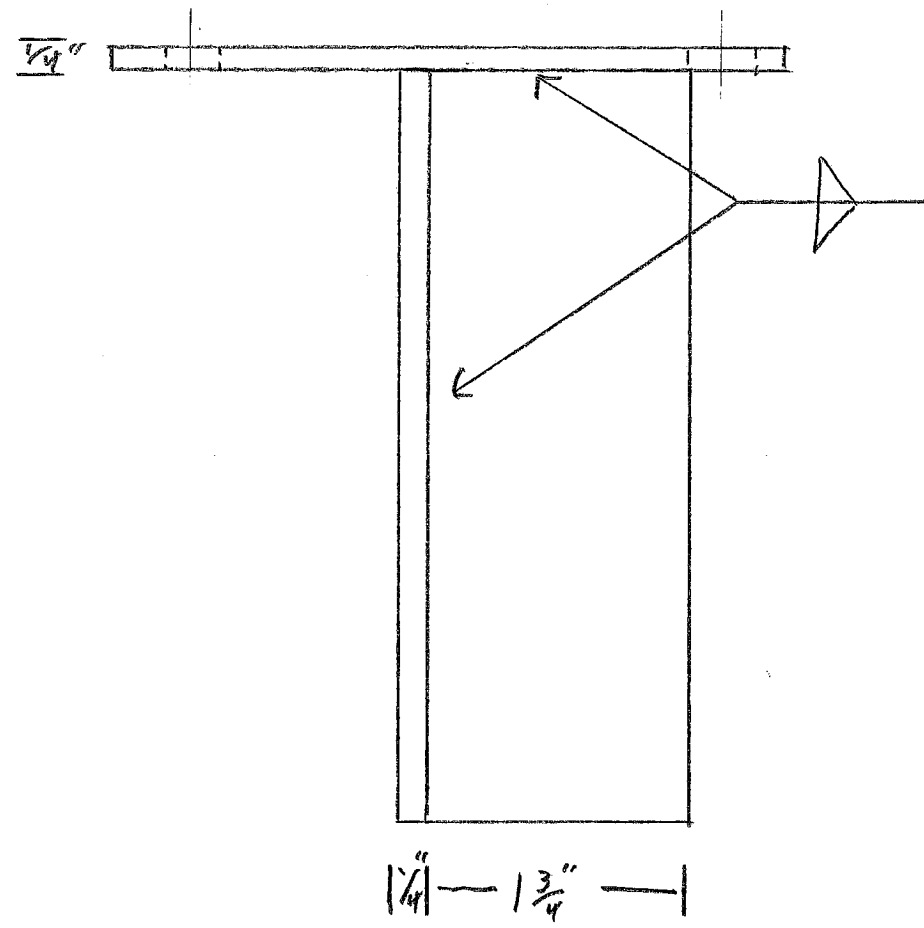
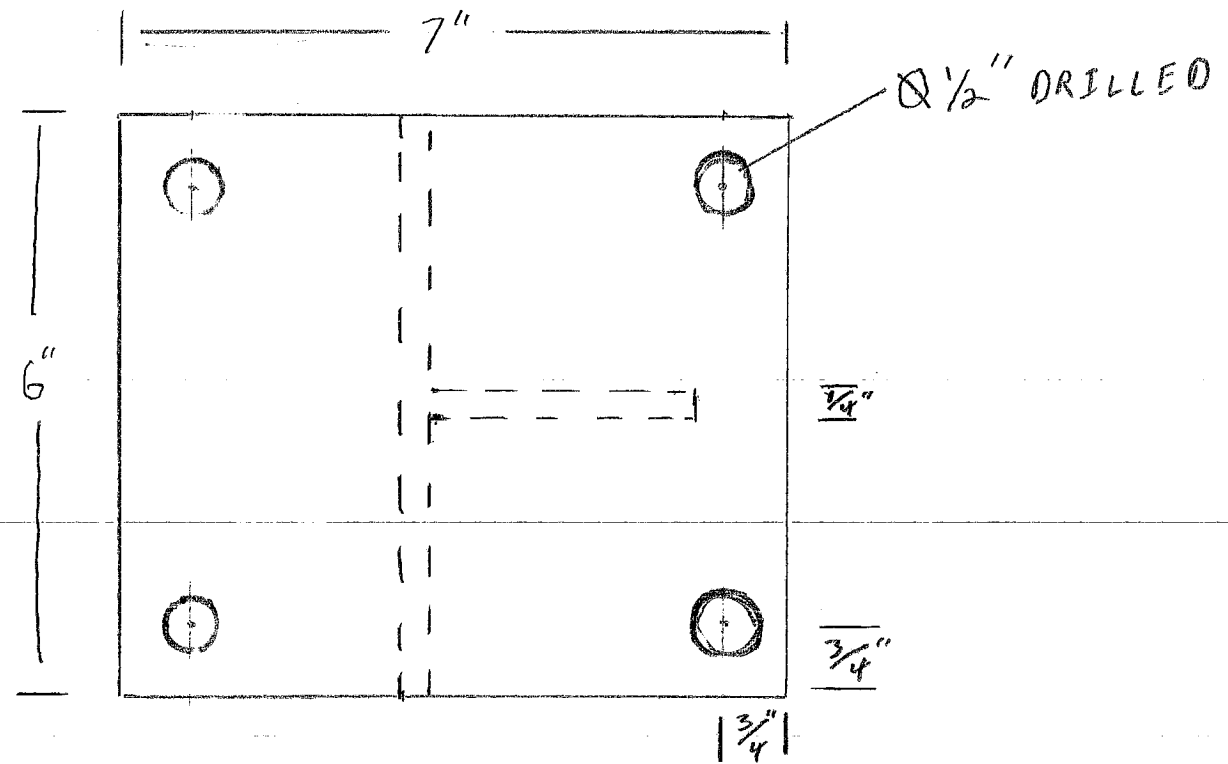
SCALE $1/2" = 1"$
 5/4/2017



JASON JONES DU PONT LINKAGE SCALE: 1/2" = 1"
 MISSOULA COLLEGE PG 7 of 12 5/4/2017



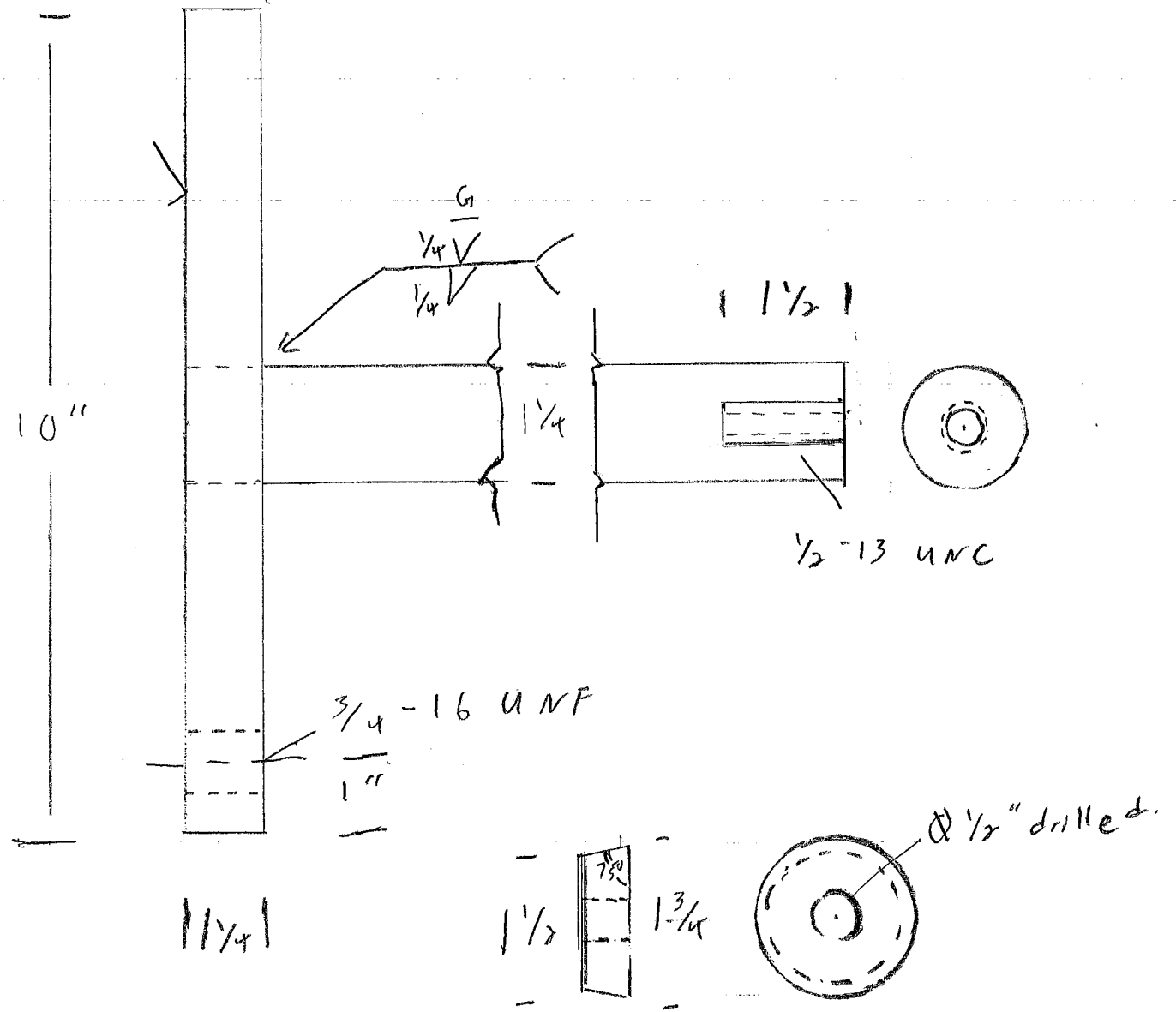
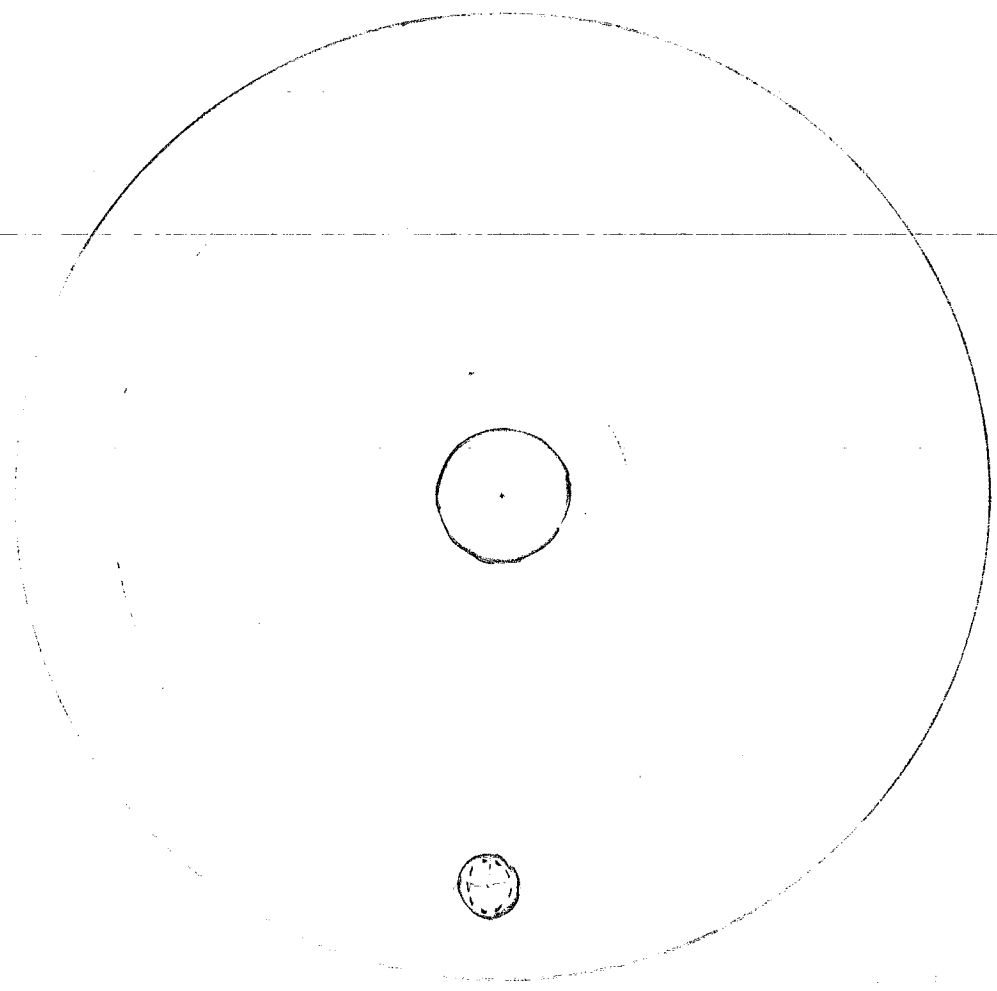




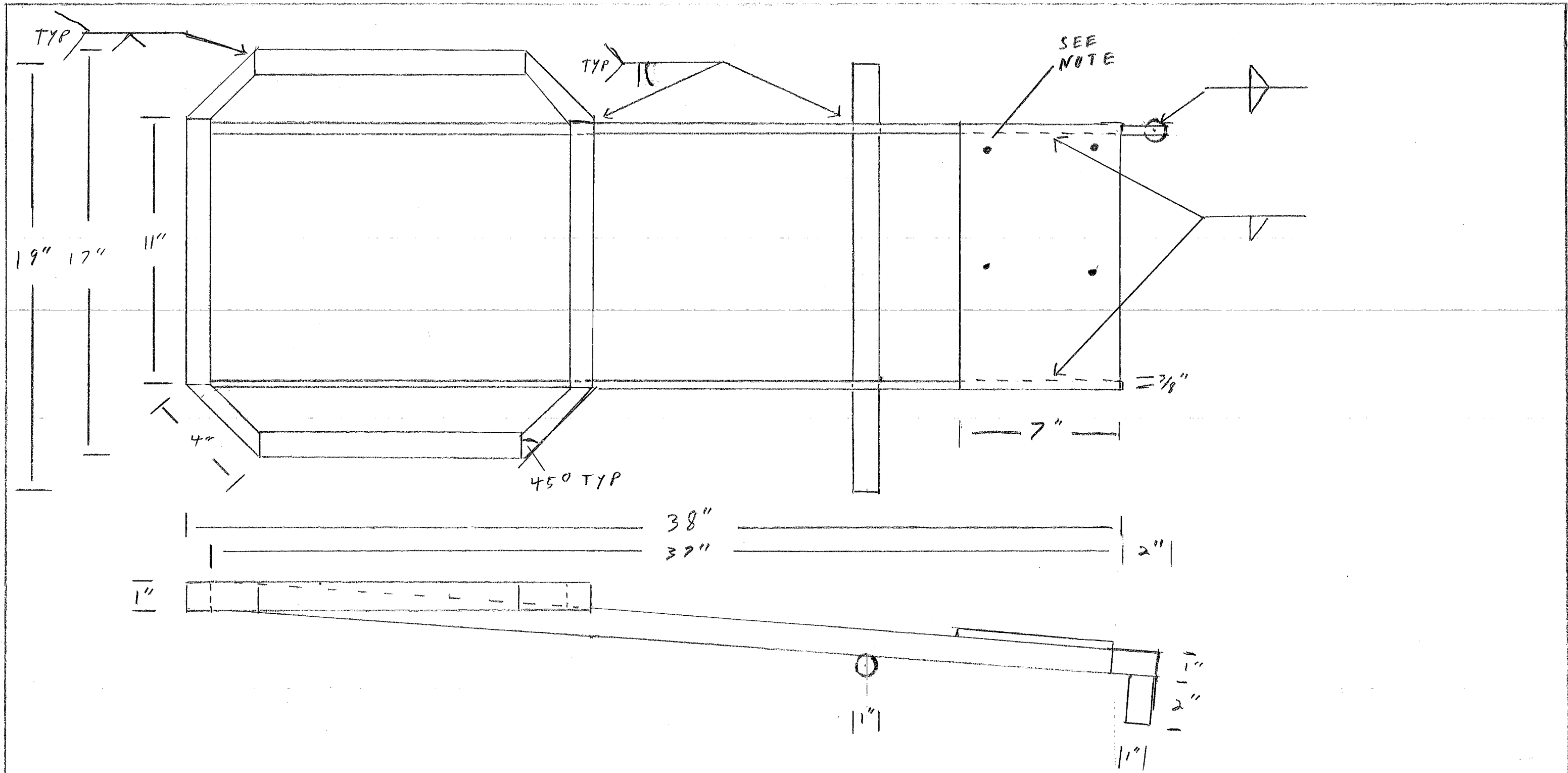
JASON JONES DRIVE SHAFT SUPPORT SCALE 1/2" = 1"
 MISSOULA COLLEGE PG 11 of 12 5/4/2017

10"

Detail A
Drive Shaft & Flywheel



Detail B
Drive Shaft Friction Plate
x2



NOTE: Locate and size bolt holes as appropriate for motor used.

JASON JONES TREADLE SCALE 1/4" = 1"
 MISSOULA COLLEGE PG 10 of 12 5/4/2017